

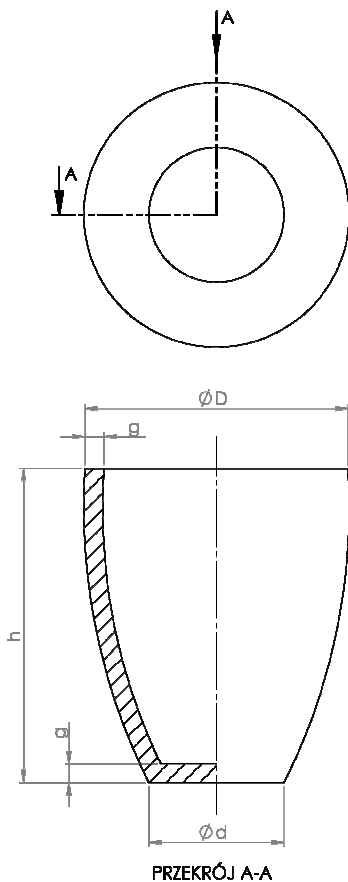


SILICON CARBIDE CRUCIBLES ON NITRIDE BONDING

Silicon carbide crucibles on nitride bond are used in non – ferrous metallurgy for melting: copper, aluminum, zinc, lead and in jewelry.

These products are characterized by:

- high mechanical resistance
- high thermal conductivity
- high resistance to thermal shock



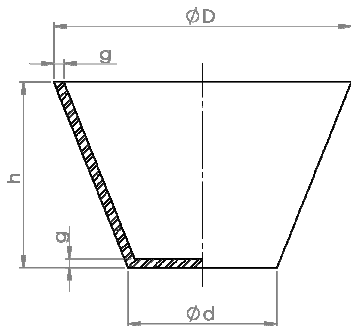
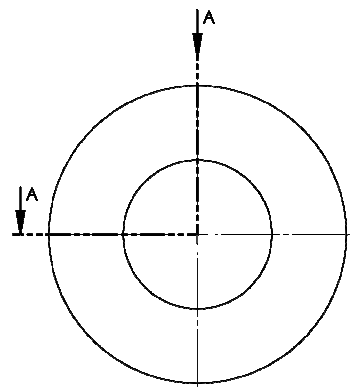
BARREL CRUCIBLES

Type	Dimensions mm]		
	ϕD	ϕd	h
SiC B1	50	40	50
SiC B2	110	65	110
SiC B3	180	120	240
SiC B4	180	120	190

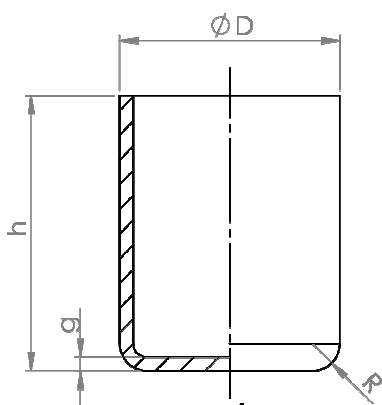
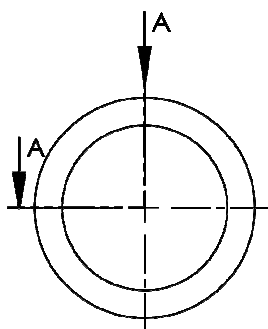
For further information:

16.0/18

Marketing Department
Tel.: (+ 48 32) 270 19 77
Fax: (+48 32) 270 19 60
e-mail: marketing_gliwice@icimb.pl



PRZEKRÓJ A-A



PRZEKRÓJ A-A

CONICAL CRUCIBLES

Type	Dimensions [mm]		
	$\varnothing D$	$\varnothing d$	h
SiC S1	70	60	120
SiC S2	70	60	80
SiC S3	90	80	200
SiC S4	90	80	140
SiC S5	160	140	350
SiC S6	160	140	200
SiC S7	145	135	280
SiC S8	130	100	160
SiC S9	200	185	300

CYLINDRICAL CRUCIBLES

Type	Dimensions [mm]	
	$\varnothing D$	h
SiC C1	100	174
SiC C2	70	180
SiC C3	60	90
SiC C4	170	300
SiC C5	170	200
SiC C6	210	375

Depending on the size and type of crucible wall thickness ranges from 5 to 15mm.

For further information:

Marketing Department
 Tel.: (+ 48 32) 270 19 77
 Fax: (+48 32) 270 19 60
 e-mail: marketing_gliwice@icimb.pl